

230V Electromechanical operator



Max width single leaf

1.8 m

Use frequency (cycles/hour)

18



- Non reversing operator, does not require electric lock.
- Easy installation and maintenance.
- Lever release device on the rear side of the operator.



230V SAFEzone system:
412 + E045S or E145S
+ SAFEcoder



GREENtech 230V system:
412 + E045S or
E145S



DIMENSIONS AND TECHNICAL SPECIFICATIONS

Model	412 RH	412 LH
Power supply voltage	220-240V~ 50/60 Hz	
Electric motor	Asynchronous single phase	
Max. power	280 W	
Max expressed force	3500 N (*)	
Rod max speed	16 mm/s (*)	
Rod travel	290 mm	
Max. leaf opening angle	110°	
Operating ambient temperature	-20°C ÷ + 55°C	
Thermal protection	140°C	
Protection class	IP44	
Weight	6.5 Kg	
Use frequency	18 cycles/hour	
Max. leaf width	1.8 m	
Mounting brackets	Rear attachment to be welded/screwed - front attachment to be welded	
Dimensions (LxDxH)	991 x 101 x 172 mm	
Electronic equipment	Not included	

(*) data referred to 230V~ 50Hz.

FAMILY MODELS

Model	Item code
412 RH	104470
412 LH	104471

PACKS

412 RH/LH includes: an electromechanical operator (RH or LH), installation accessories, a release key, a 400V 8 μ F thrust capacitor.

Typical Installation Examples page. 286

ELECTRONIC CONTROL UNITS



E145S control unit
Info at page 134

790076



E045S control unit
Info at page 132

790077

These control units are available while supplies last and will soon be replaced by models E045S LC and E145S LC.

ACCESSORIES



Enclosure mod. L for electronic control units

720118



Enclosure mod. E for electronic control units

720119



Enclosure mod. LM for electronic control units

720309

>>



Plate to be walled

737604



Pair of supplementary release keys

713009



SAFEcoder (BUS magnetic absolute encoder) for 412 operator (FAAC Patent)

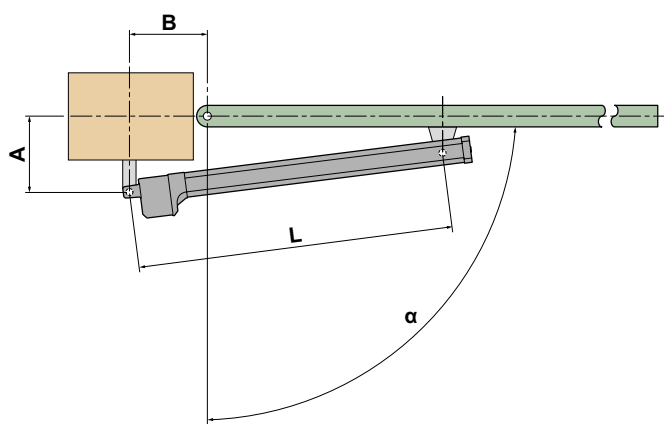
404041



BUS XIB interface (for E045 or E045S boards with photocell no BUS)

790062

INSTALLATION DIMENSIONS (MM)



α	A	B	L
90°	145	145	892
110°	125	125	

For any other configuration please refer to the technical manual

NOTE

The version for right leaves (RH and LH) is determined looking at the gate from inside the property.

OPTIONAL: compatible with XMBX (GSM) or XWBL (Wifi/Lan) connectivity module

OTHER ACCESSORIES

Key operated buttons
page 180

Safety edges
page 190

Transmitters and receivers
page 168

Photocells and columns
page 188

Flashing lights
page 199

Various accessories
page 200